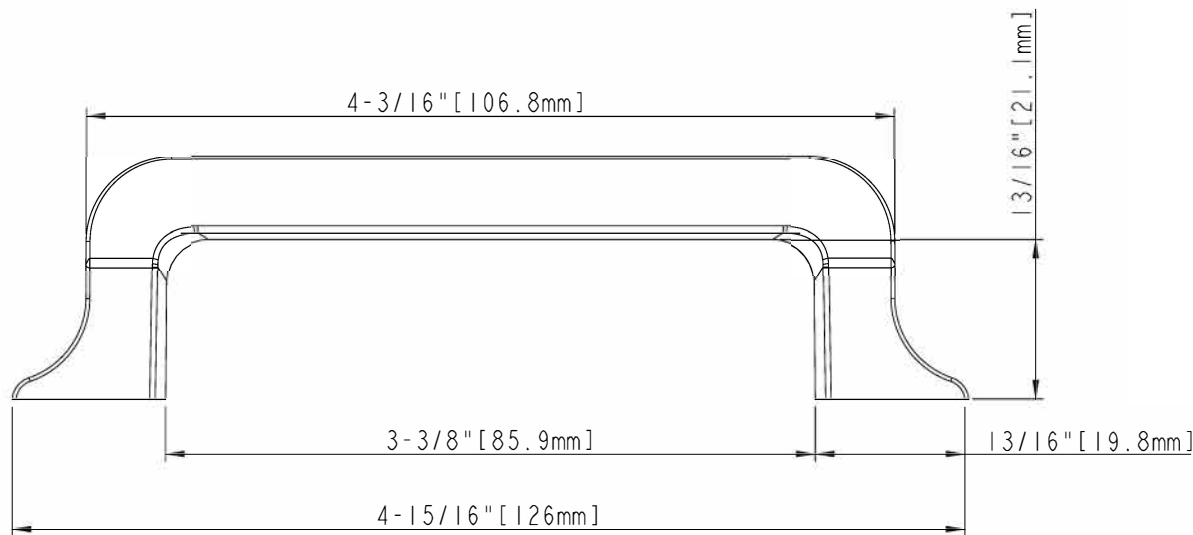


8-32 UNC - ∇ 1/2"

3-3/4" [96mm] CC



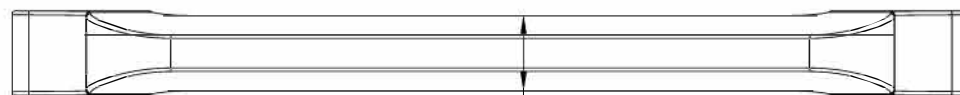
4-3/16" [106.8mm]

13/16" [21.1mm]

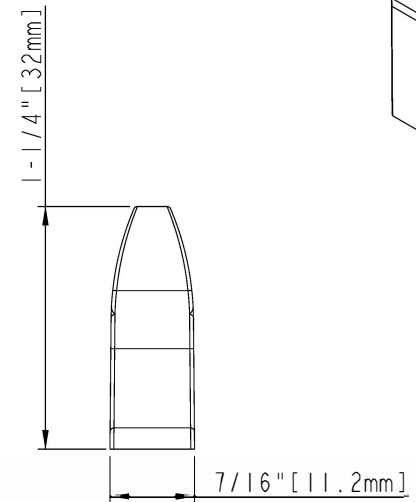
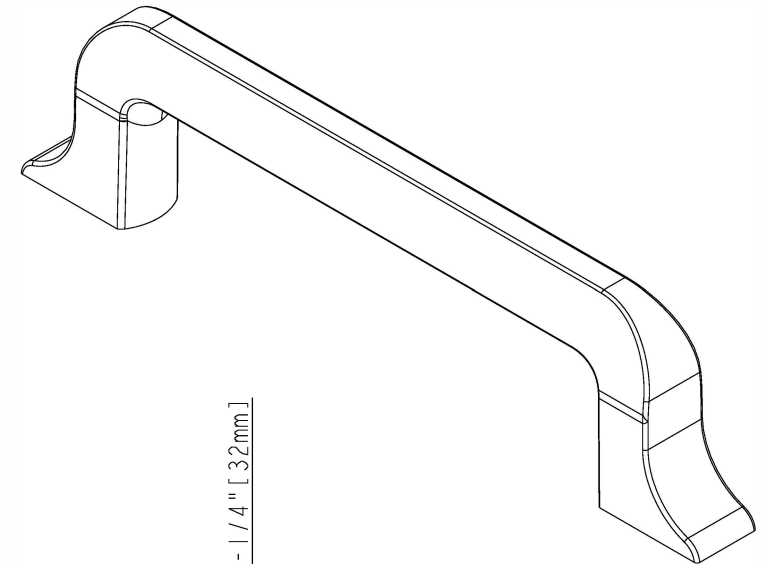
3-3/8" [85.9mm]

13/16" [19.8mm]

4-15/16" [126mm]




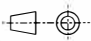
3/8" [9.9mm]



1-1/4" [32mm]

7/16" [11.2mm]

ACCESSORY:
 SCREW: 8-32x1" 2PCS
 BREAK AWAY SCREW: 8-32x45 2PCS
 ALL SCREW MATERIAL: STEEL-SAE1006

 PROPRIETARY AND CONFIDENTIAL THE INFORMATION CONTAINED IN THIS DRAWING IS THE SOLE PROPERTY OF HARDWARE RESOURCES INC. ANY REPRODUCTION IN PART OR AS A WHOLE WITHOUT THE WRITTEN PERMISSION OF HARDWARE RESOURCES INC. IS PROHIBITED.	ITEM#: 839-96	MATERIAL: Zamak 3
	Finish:	WEIGHT: 91.8g/0.201lbs
	TOLERANCE UNLESS OTHERWISE SPECIFIED: X ±0.20 X.X ±0.10 X.XX ±0.05 ANGULAR: ±0.5°	PROJECTION 
	DO NOT SCALE DRAWING	UNITS: DRAWN BY: Alexander.W DATE: Dec-17-20 APPROVED BY: DATE: Apr-30-21 SHEET: RELEASE LEVEL: REVISION: